



# HAILO AS Raumspar Tandem 18/8/8/D

**3642131**

GTIN: 4007126364210

For hinged door cabinets from 400 mm width



SWING



3 BUCKET

**34 L**

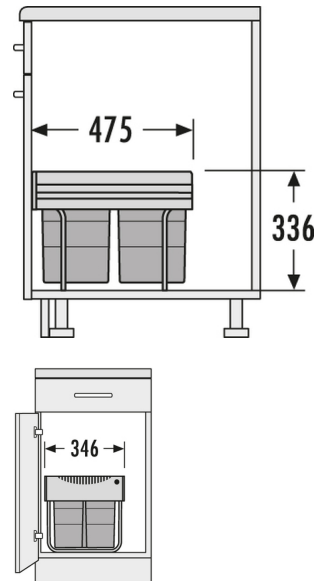
TOTAL

Suitable for cabinet width (cm)  
40, 45, 50, 60, 80, 90

- incl. hook bar on the side

## Specifications

|                                   |                        |   |
|-----------------------------------|------------------------|---|
| Type of installation              | Swing                  | ✓ |
| Cabinet-width min. (cm)           | 40                     |   |
| Cabinet-width max. (cm)           | 90                     |   |
| Suitable for cabinet width (cm)   | 40, 45, 50, 60, 80, 90 |   |
| available Cabinet-depth min. (mm) | 475                    |   |
| Bottom-mounted                    |                        | ✓ |
| Slides                            | Full extension         |   |
| Product dimensions (WxDxH) (mm)   | 346 x 475 x 336        |   |
| Packing dimensions (WxDxH) (mm)   | 360 x 490 x 370        |   |
| Number of bins                    | 3                      |   |
| Lid                               | Lid for 8 l            |   |
| Capacity (l)                      | 1 x 18 + 2 x 8         |   |
| Total volume (l)                  | 34                     |   |
| Color metal parts                 | silver-coloured        |   |



# PRODUCT SPECIFICATION SHEET

---



|                     |            |
|---------------------|------------|
| Color plastic parts | light grey |
|---------------------|------------|

---

|                           |     |
|---------------------------|-----|
| Weight incl. packing (kg) | 6,0 |
|---------------------------|-----|

---