

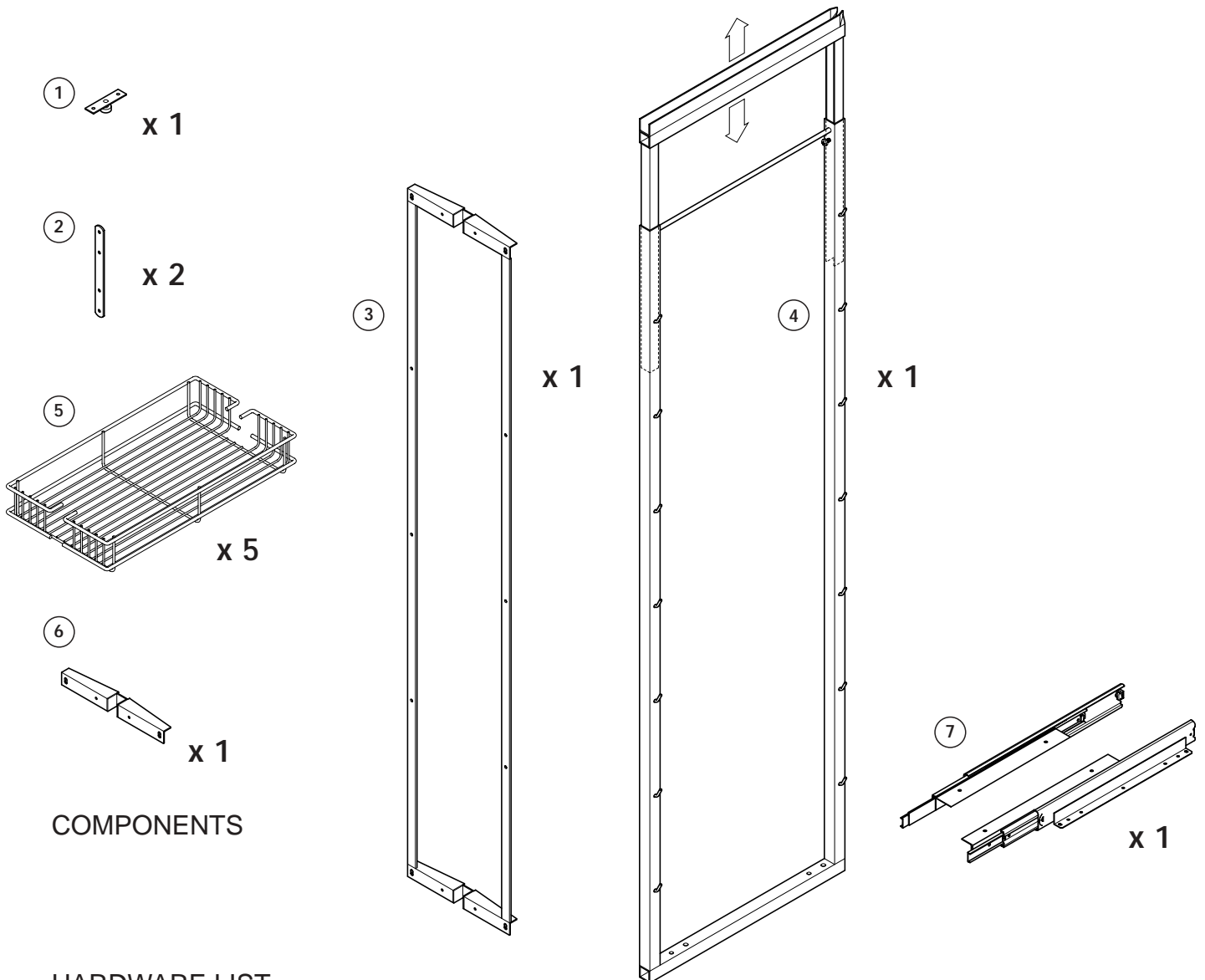
# **HÄFELE LARDER UNIT ASSEMBLY INSTRUCTIONS**

# ASSEMBLY INSTRUCTIONS

## FOR ARTICLE No. 546.21.230

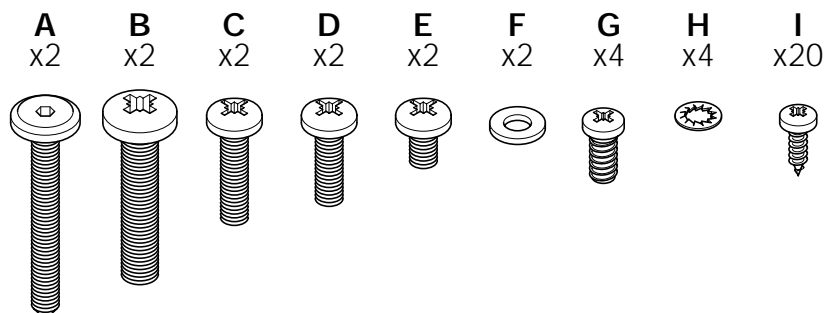
### PULL OUT LARDER UNIT

PLEASE READ INSTRUCTIONS  
BEFORE ASSEMBLING UNITS



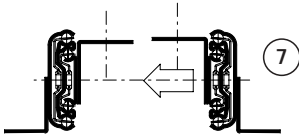
COMPONENTS

HARDWARE LIST

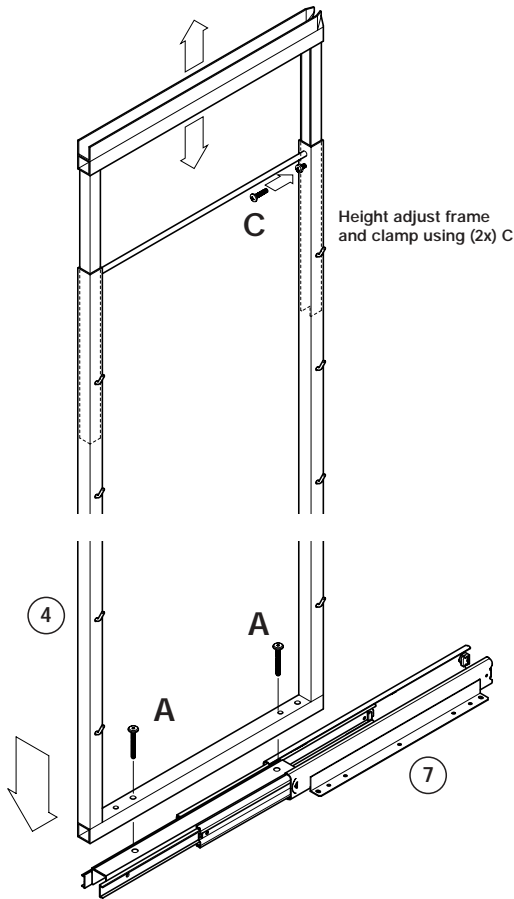


**1** CHECK OFF COMPONENTS AS SHOWN IN DIAGRAM AND LAY ON FLAT SURFACE .

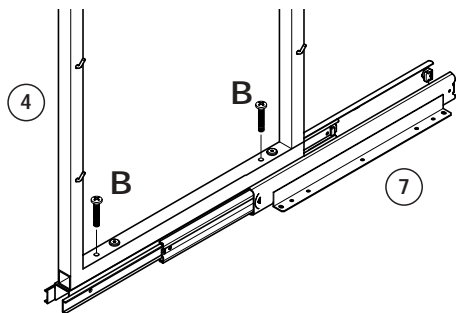
**2** WORKING OUTSIDE OF THE CARCASE, POSITION LEFT-HAND AND RIGHT-HAND RUNNER TOGETHER AND THEN SECURE ITEM ④ TO ⑦ USING (2x) A. MAKE SURE FRONT OF FRAME AND FRONT OF RUNNER LINE UP AND FINALLY SECURE THE FRAME TO THE RUNNER AFTER ADJUSTING THE HEIGHT AND LEVEL WITH (2x) B.



Assemble runner together with frame

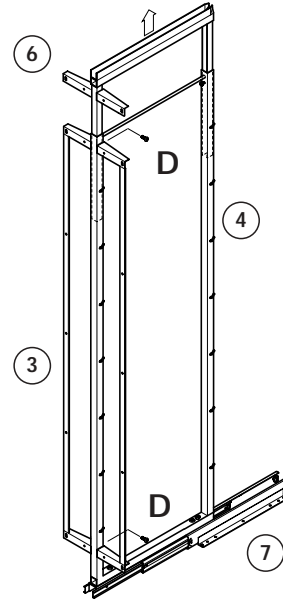


Height adjust frame and clamp using (2x) C

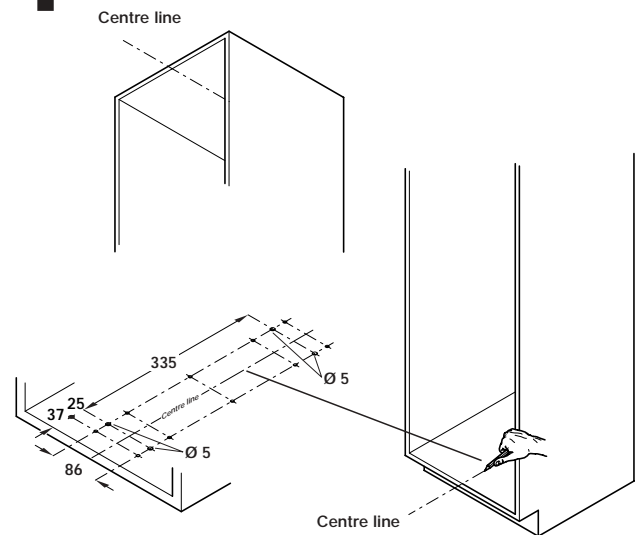


INSERT AND TIGHTEN (2x) B AS SHOWN

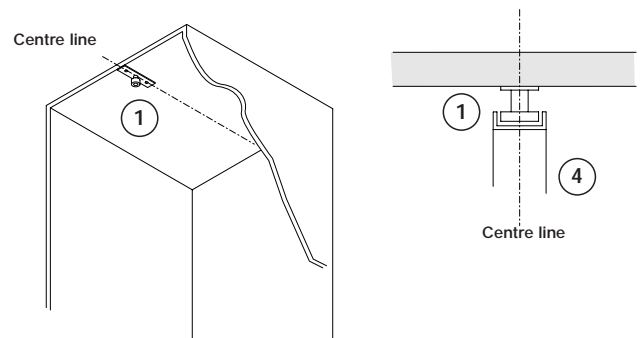
**3** SECURE ITEM ⑥ TO ITEM ④ USING (2x) D. SECURE ITEM ⑥ TO ITEM ④ IF HEIGHT EXTENDED VIA DOOR PANEL.



**4** DRAW A CENTRE LINE ON TOP AND BOTTOM PANEL OF THE CARCASE .

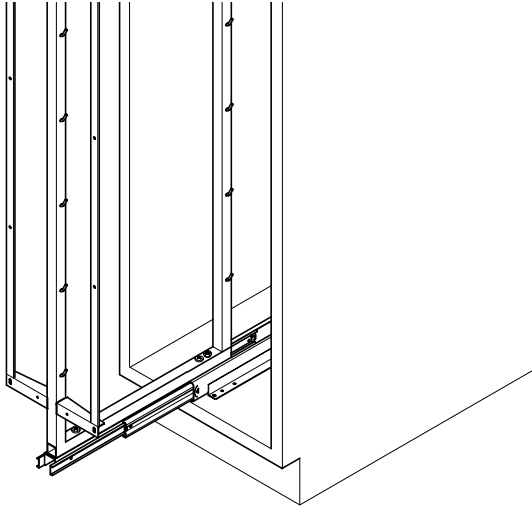


**5** ALIGN THE ROLLER ① WITH THE CENTRE LINE ON TOP PANEL AND SECURE USING (2x) I.



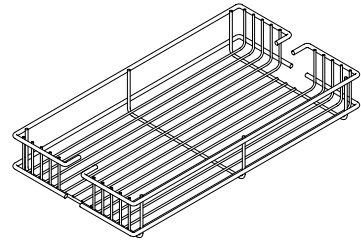
# 6

ALIGN RUNNER WITH THE CENTRE LINE ON BOTTOM PANEL AND TO THE FRONT EDGE OF THE CARCASE. SECURE USING FRONT AND REAR FIXING HOLES.



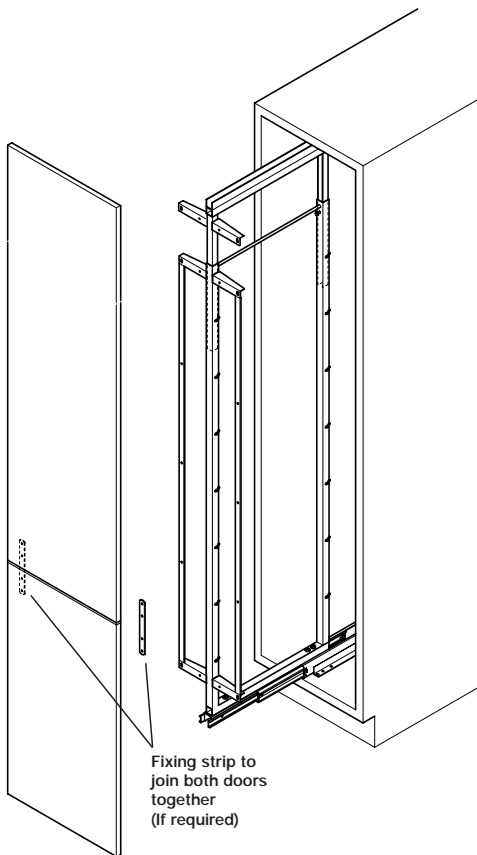
# 8

HANG THE BASKETS ONTO THE MAIN ASSEMBLY INSIDE THE LARDER.



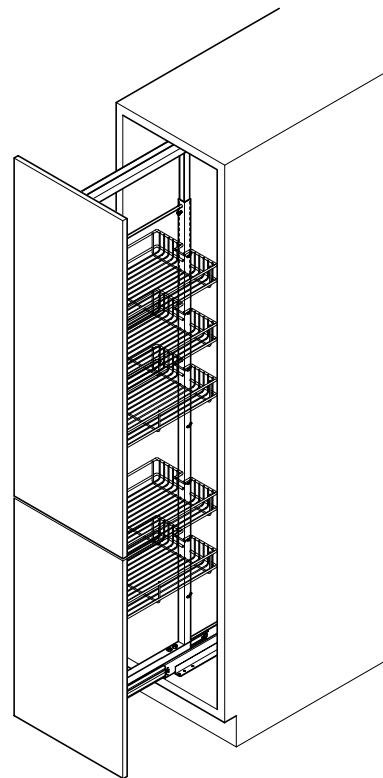
# 7

SECURE FRONT DOOR OF LARDER IN POSITION .USING DIAGRAM BELOW AS A GUIDE , INSERT THE FOUR OUTER SCREWS , USE REMAINDER IF REQUIRED . ATTACH THIRD DOOR FIXING BRACKET BEHIND WHERE THE HANDLE WILL BE PLACED ON THE FRONT OF THE DOOR



# 9

FINISHED UNIT WITH LARDER PULLOUT .



WHEN LARDER AND DOOR ARE POSITIONED CORRECTLY, SECURE SCREWS IN REMAINING FIXING HOLES ON RUNNER ⑦